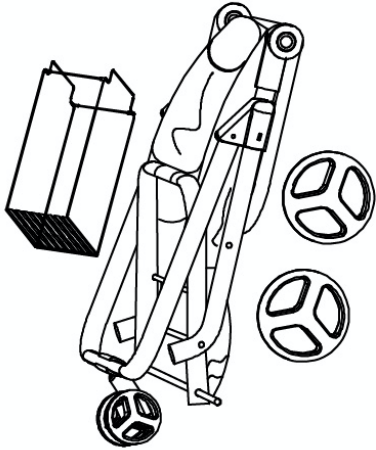
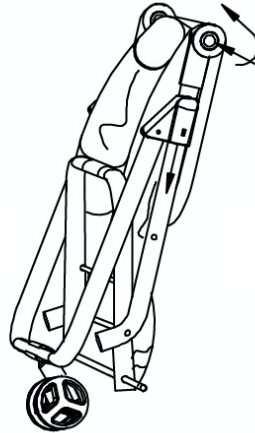


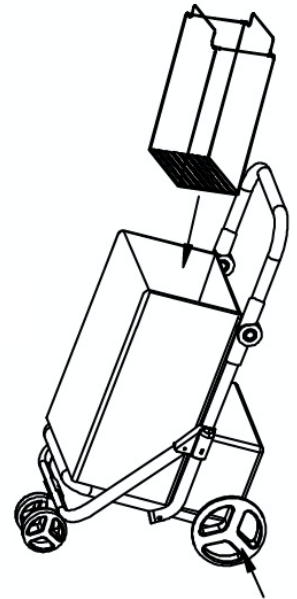
# Aluminium Shopping Trolley



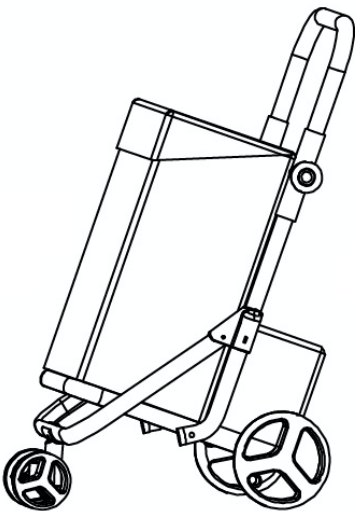
1. Contents of the Package:
- Foldable Frame
  - Set of 2 Wheels
  - Insert Bag



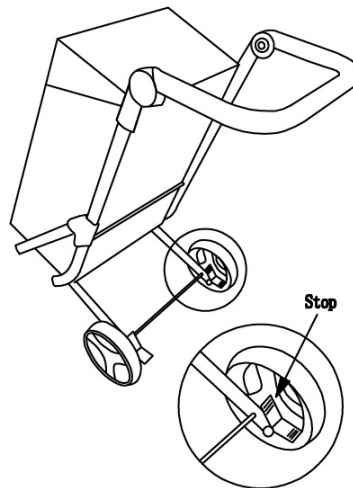
2. To unfold:
- Press buttons located on each side of handle bar and flip the bar into upward position.
  - Press downwards on the frame as per image attached to unfold it.
  - Attach the wheels.



3. Insert Bag as per image above.



4. Shopping Trolley is ready to use.



5. For your convenience each back wheel comes with a brake to help you securely lock the product in place if required

## IMPORTANT

To attach wheels, remove black protective cap from both ends of the spindle. Place the wheels on the spindle and push firmly until you hear a click.

To remove wheels, push down on the catch in the centre of the wheel and pull.

There is 2 RED latches on either side of the frame to enable easy fold